



CLAMP-ON SADDLES

Simple Two-Piece Design Engineered for Reliability



Spears® PVC Clamp-On Saddles allow quick, easy and reliable addition of branch lines to existing piping system lines. These versatile saddle units can be used in either temporary or permanent installations on all types of pipe with IPS (Iron Pipe size) outside diameter, such as PVC, CPVC, Polyethylene, Polypropylene and Steel.

Excellent Metal-to-Plastic System Transition

Easily installs on metal pipe as a transition to plastic system.

PVC Tee or Cross Configurations

Available in PVC White, PVC Gray in 2" - 12" IPS pipe saddle with socket outlets in sizes 1/2" - 6" and Special Reinforced (SR) threaded outlets in sizes 1/2" - 6", single Tee or double Cross configurations.

Patented SR Design Female Threads

Patented Special Reinforced (SR) design on female thread outlets for superior strength.

O-ring Options

Choice of high grade Buna-N or EPDM O-rings for Schedule 40 and EPDM or FKM O-rings for Schedule 80, for application specific selection for optimum chemical resistance.

Multi-Bolt Design, Choice of Hardware

Positive attachment eliminates splitting problems associated with plastic wedge fasteners and outperforms 2-Bolt clamp saddle designs. Choose zinc plated or stainless steel nut, bolt and washer hardware.

Excellent Pressure Capabilities

Maximum internal pressure rating of 235 psi through 4", 200 psi for 6", and 150 psi for 8" - 12" at 73°F.

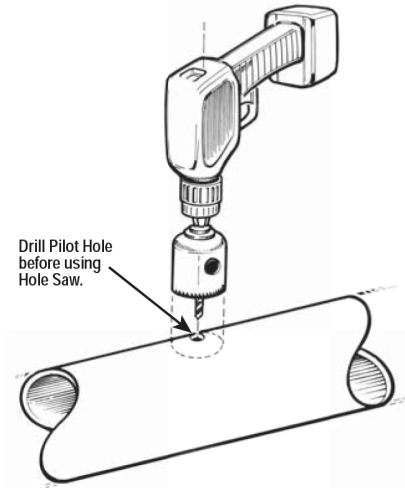
Sample Engineering Specification

All thermoplastic saddles shall be clamp-on type with O-ring seal constructed from PVC Type IV cell classification 12454. All O-rings shall be Buna-N, EPDM or FKM. All saddles shall be piloted at O-ring area for positive positioning in pipe. All bolt clamping hardware shall be zinc plated steel or stainless steel. All threaded saddle outlets shall be Special Reinforced (SR) design. Saddles shall be pressure rated at 235 psi for use on pipe sizes through 4" nominal IPS diameters, 200 psi for use on 6" pipe, and 150 psi for use on 8" - 12" pipe, maximum internal pressure for water at 73°F, as manufactured by Spears® Manufacturing Company.



Clamp-On Saddle Installation Instructions

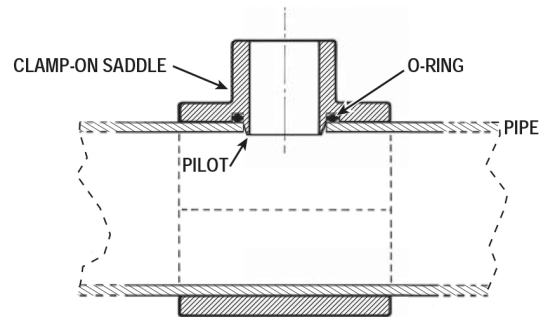
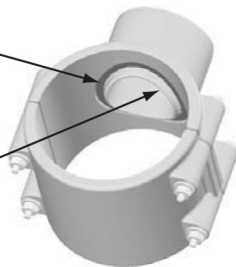
1. Using a standard industrial grade hole-saw, cut specified hole in desired position on pipe according to recommended hole saw size engraved on the saddle. **Note:** Care must be taken to deburr hole and remove all residue from hole area to assure tight fit and avoid leakage.
2. Fully seat O-ring in groove on underside of saddle outlet component. Position over hole and fully seat saddle onto pipe. Note: Certain saddle outlets are piloted. Be sure pilot lip fully engages with hole in pipe.
3. Place strap component opposite outlet and secure with bolts (4), nuts (4) and washers (8). Important: Washers **MUST** be placed under each bolt head (1) and under each nut (1) to avoid damage to saddle.
4. Tighten bolts to specified torque.



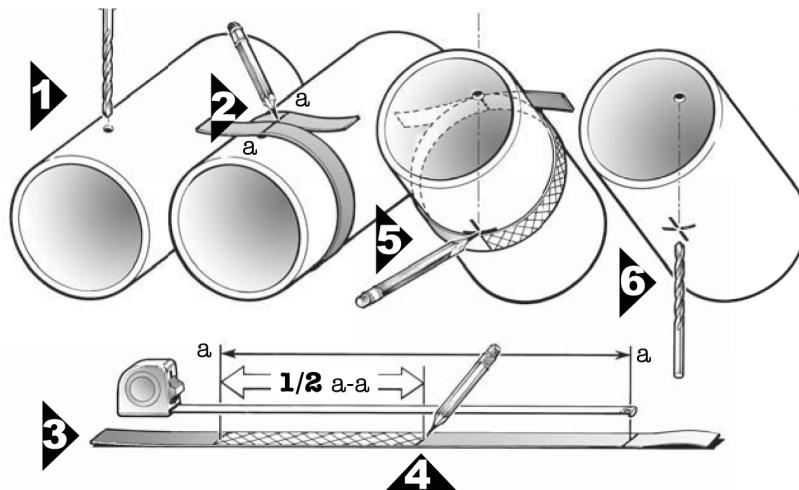
| | | | | |
|--------------------------------|---|---|---|--------|
| Saddle Size | 2 | 3 | 4 | 6 & up |
| Recommended Bolt-Torque -ft/lb | 8 | 8 | 8 | 10 |

O-ring seal provides positive, trouble-free sealing to pipe.

Special pilot engages with hole in pipe to prevent saddle dislocation.



For Double Outlet Saddle Installation —Determine second outlet hole position as shown

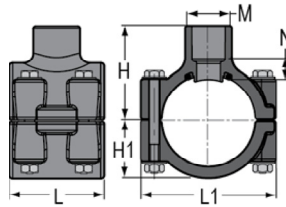


Schedule 80 Saddles



**Clamp-On Saddle x Socket
Single Outlet PVC Gray**

with EPDM O-ring Seal & Zinc-Plated Hardware
2"- 4" 235, 6" 200, 8"-12" 150 psi @ 73°F (23°C)
Dimensions Also Applicable to
866S-XXX, 866V-XXX & 866SV-XXX



| Part Number | Size | H | H1 | L | L1 | M | N | Bolt Torque FT./LBS. | Hole Size | No of Bolts | Approx. Wt. (Lbs.) |
|----------------------|-------------|---------|---------|---------|----------|---------|---------|-------------------------|-----------|----------------|-----------------------|
| 866-247 | 2X1/2 | 2- 3/8 | 1- 1/2 | 2- 7/16 | 3- 7/16 | 1- 3/16 | 5/16 | 8 | 3/4 | 4 | .61 |
| 866-248 | 2X3/4 | 2- 1/2 | 1- 1/2 | 2- 7/16 | 3- 7/16 | 1- 3/8 | 5/16 | 8 | 7/8 | 4 | .61 |
| 866-249 | 2X1 | 2- 5/8 | 1- 1/2 | 2- 7/16 | 3- 7/16 | 1-11/16 | 5/16 | 8 | 1-1/8 | 4 | .64 |
| 866-250 | 2X1-1/4 | 2- 3/4 | 1- 1/2 | 2- 7/16 | 3- 7/16 | 2- 1/16 | 5/16 | 8 | 1-1/2 | 4 | .66 |
| 866-251 | 2X1-1/2 | 2-15/16 | 1- 1/2 | 2- 7/16 | 3- 7/16 | 2- 3/8 | 5/16 | 8 | 1-1/2 | 4 | .72 |
| 866-291 | 2-1/2X1-1/2 | 3- 3/16 | 1-11/16 | 4- 1/16 | 4 | 2- 3/8 | 3/8 | 8 | 7/8 | 4 | 1.03 |
| 866-333 ¹ | 3X1/2 | 3- 5/16 | 2- 1/16 | 3 | 4- 5/8 | 1- 3/8 | 13/16 | 8 | 7/8 | 4 | .90 |
| 866-334 | 3X3/4 | 3- 1/16 | 2- 1/16 | 3 | 4- 5/8 | 1- 3/8 | 9/32 | 8 | 1-1/8 | 4 | .87 |
| 866-335 | 3X1 | 3- 3/16 | 2- 1/16 | 3 | 4- 5/8 | 1-11/16 | 5/16 | 8 | 2-1/4 | 4 | .90 |
| 866-336 ¹ | 3X1-1/4 | 4- 1/32 | 2- 1/16 | 4- 3/32 | 4- 5/8 | 3 | 1- 1/32 | 8 | 2-1/4 | 4 | 1.46 |
| 866-337 ¹ | 3X1-1/2 | 4- 1/32 | 2- 1/16 | 4- 3/32 | 4- 5/8 | 3 | 29/32 | 8 | 2-1/4 | 4 | 1.41 |
| 866-338 | 3X2 | 3- 5/8 | 2- 1/16 | 4- 3/32 | 4- 5/8 | 3 | 3/8 | 8 | 1-1/8 | 4 | 1.27 |
| 866-415 ¹ | 4X1/2 | 4- 3/32 | 2- 5/8 | 3 | 5- 9/16 | 2- 3/8 | 31/32 | 8 | 1-1/8 | 4 | 1.31 |
| 866-416 ¹ | 4X3/4 | 4- 3/32 | 2- 5/8 | 3 | 5- 9/16 | 2- 3/8 | 27/32 | 8 | 1-1/8 | 4 | 1.29 |
| 866-417 | 4X1 | 3-13/16 | 2- 5/8 | 3 | 5- 5/8 | 1-11/16 | 7/16 | 8 | 1-1/8 | 4 | 1.25 |
| 866-418 ¹ | 4X1-1/4 | 4-13/32 | 2- 5/8 | 4- 3/32 | 5- 5/8 | 2- 3/8 | 29/32 | 8 | 1-3/4 | 4 | 1.70 |
| 866-419 | 4X1-1/2 | 4- 1/8 | 2- 5/8 | 4- 3/32 | 5- 9/16 | 2- 3/8 | 1/2 | 8 | 1-3/4 | 4 | 1.64 |
| 866-420 | 4X2 | 4- 3/16 | 2- 5/8 | 4- 1/8 | 5- 5/8 | 3 | 7/16 | 8 | 2-1/4 | 4 | 1.71 |
| 866-421 ¹ | 4X2-1/2 | 5 | 2- 5/8 | 5- 7/16 | 5-23/32 | 4- 9/32 | 3/4 | 8 | 3 | 4 | 2.77 |
| 866-422 | 4X3 | 4- 5/8 | 2-19/32 | 5- 7/16 | 5-11/16 | 4- 1/4 | 1/2 | 8 | 3 | 4 | 2.40 |
| 866-523 ¹ | 6X1/2 | 5-13/32 | 3- 7/8 | 3 | 7- 3/4 | 1-11/16 | 1- 7/32 | 10 | 1-1/8 | 4 | 2.40 |
| 866-524 ¹ | 6X3/4 | 5- 7/16 | 3- 7/8 | 3 | 7- 3/4 | 1-11/16 | 1- 1/8 | 10 | 1-1/8 | 4 | 2.38 |
| 866-525 | 6X1 | 5- 1/8 | 3- 7/8 | 3 | 7-15/16 | 1-11/16 | 11/16 | 10 | 1-1/8 | 4 | 2.35 |
| 866-526 ¹ | 6X1-1/4 | 5-15/16 | 3- 7/8 | 4- 1/8 | 7- 3/4 | 3 | 1- 3/8 | 10 | 2-1/4 | 4 | 3.27 |
| 866-527 ¹ | 6X1-1/2 | 5-15/16 | 3- 7/8 | 4- 1/8 | 7- 3/4 | 3 | 1- 1/4 | 10 | 2-1/4 | 4 | 3.22 |
| 866-528 | 6X2 | 5- 1/2 | 3- 7/8 | 4- 1/8 | 7- 3/4 | 3 | 11/16 | 10 | 2-1/4 | 4 | 3.08 |
| 866-529 ¹ | 6X2-1/2 | 6- 7/16 | 3- 7/8 | 6 | 7-15/16 | 4- 1/4 | 1- 1/8 | 10 | 3 | 4 | 4.77 |
| 866-530 | 6X3 | 5-15/16 | 3- 7/8 | 6 | 7-15/16 | 4- 1/4 | 25/32 | 10 | 3 | 4 | 4.40 |
| 866-532 | 6X4 | 6 | 3-29/32 | 6 | 7-15/16 | 5- 3/16 | 5/8 | 10 | 4 | 6 | 5.26 |
| 866-573 ¹ | 8X1/2 | 7- 3/4 | 4- 7/8 | 8- 1/2 | 9-7/8 | 5- 5/16 | 1- 1/2 | 10 | 4 | 6 | 9.65 |
| 866-574 ¹ | 8X3/4 | 8- 3/32 | 4- 7/8 | 8- 1/2 | 9-7/8 | 5- 1/4 | 2- 3/4 | 10 | 4 | 6 | 9.64 |
| 866-575 ¹ | 8X1 | 8- 3/32 | 4- 7/8 | 8- 1/2 | 9-7/8 | 5- 1/4 | 2- 5/8 | 10 | 4 | 6 | 9.65 |
| 866-576 ¹ | 8X1-1/4 | 8- 3/32 | 4- 7/8 | 8- 1/2 | 9-7/8 | 5- 1/4 | 2- 1/2 | 10 | 4 | 6 | 9.87 |
| 866-577 ¹ | 8X1-1/2 | 8- 3/32 | 4- 7/8 | 8- 1/2 | 9-7/8 | 5- 1/4 | 2- 3/8 | 10 | 4 | 6 | 9.83 |
| 866-578 | 8 X 2 | 6-1/2 | 4- 7/8 | 8- 1/2 | 9-7/8 | 3 | 11/16 | 10 | 4 | 6 | 9.42 |
| 866-579 ¹ | 8X2-1/2 | 8- 5/32 | 4- 7/8 | 8-1/2 | 9-7/8 | 5- 7/32 | 2- 1/2 | 10 | 4 | 6 | 9.42 |
| 866-580 ¹ | 8X3 | 7-11/16 | 4- 7/8 | 8- 1/2 | 9- 7/8 | 5- 7/32 | 2- 1/16 | 10 | 4 | 6 | 9.24 |
| 866-582 | 8X4 | 7- 5/16 | 4- 7/8 | 8- 1/2 | 9-7/8 | 5- 1/4 | 11/16 | 10 | 4 | 6 | 8.41 |
| 866-585 | 8X6 | 8- 3/32 | 4- 7/8 | 8- 1/2 | 9-7/8 | 7- 5/8 | 11/16 | 10 | 6 | 6 | 9.68 |
| 866-621 ¹ | 10X2 | 8- 7/8 | 6- 1/32 | 8- 1/2 | 12- 5/16 | 5- 1/4 | 1-15/16 | 10 | 6 | 6 | 13.26 |
| 866-624 | 10X4 | 8-15/32 | 6- 1/32 | 8- 1/2 | 12- 5/16 | 5- 1/4 | 13/16 | 10 | 4 | 6 | 12.25 |
| 866-626 | 10X6 | 9- 9/32 | 6- 1/32 | 8- 1/2 | 12- 5/16 | 7- 5/8 | 13/16 | 10 | 6 | 6 | 13.26 |

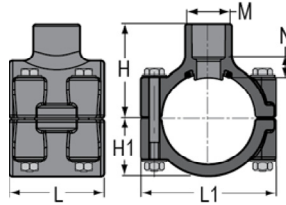


Schedule 80 Saddles

Clamp-On Saddle x Socket Single Outlet PVC Gray

(Continued)

with EPDM O-ring Seal & Zinc-Plated Hardware
2"- 4" 235, 6" 200, 8"-12" 150 psi @ 73°F (23°C)
Dimensions Also Applicable to
866S-XXX, 866V-XXX & 866SV-XXX

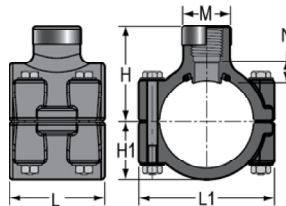


| Part Number | Size | H | H1 | L | L1 | M | N | Bolt Torque FT./LBS. | Hole Size | No of Bolts | Approx. Wt. (Lbs.) |
|-------------|------|---------|---------|--------|----------|--------|-----|-------------------------|-----------|----------------|-----------------------|
| 866-664 | 12X4 | 9- 9/16 | 7- 5/32 | 8- 1/2 | 14- 5/16 | 5- 1/4 | 7/8 | 10 | 4 | 6 | 15.77 |
| 866-666 | 12X6 | 10- 3/8 | 7- 5/32 | 8- 1/2 | 14- 5/16 | 7- 5/8 | 7/8 | 10 | 6 | 6 | 16.71 |

¹ Outlet-sized with Bushing

Clamp-On Saddle x SR Thread Single Outlet PVC Gray

with EPDM O-ring Seal & Zinc-Plated Hardware
2"- 4" 235, 6" 200, 8"-12" 150 psi @ 73°F (23°C)
Dimensions Also Applicable to
867S-XXXSR, 867V-XXXSR
& 867SV-XXXSR



| Part Number | Size | H | H1 | L | L1 | M | N | Bolt Torque FT./LBS. | Hole Size | Approx. Wt. (Lbs.) |
|------------------------|-------------|---------|---------|---------|---------|---------|---------|-------------------------|-----------|-----------------------|
| 867-247SR | 2X1/2 | 2- 3/8 | 1- 1/2 | 2- 7/16 | 3- 7/16 | 1- 3/16 | 5/16 | 8 | 3/4 | .62 |
| 867-248SR | 2X3/4 | 2- 1/2 | 1- 1/2 | 2- 7/16 | 3- 7/16 | 1- 3/8 | 5/8 | 8 | 7/8 | .64 |
| 867-249SR | 2X1 | 2- 5/8 | 1- 1/2 | 2- 7/16 | 3- 7/16 | 1-11/16 | 9/16 | 8 | 1-1/8 | .66 |
| 867-250SR | 2X1-1/4 | 2- 3/4 | 1- 1/2 | 2- 7/16 | 3- 7/16 | 2- 1/16 | 11/16 | 8 | 1-1/2 | .69 |
| 867-251SR | 2X1-1/2 | 2-15/16 | 1- 1/2 | 2- 7/16 | 3- 7/16 | 2- 3/8 | 3/4 | 8 | 1-1/2 | .76 |
| 867-291SR | 2-1/2X1-1/2 | 3- 3/16 | 1-11/16 | 4- 1/16 | 4 | 2- 3/8 | 13/16 | 8 | 1-3/4 | 1.11 |
| 867-333SR ¹ | 3X1/2 | 3- 5/16 | 2- 1/16 | 3 | 4- 5/8 | 1- 3/8 | 15/16 | 8 | 7/8 | .91 |
| 867-334SR | 3X3/4 | 3- 1/16 | 2- 1/16 | 3 | 4- 5/8 | 1- 3/8 | 9/16 | 8 | 7/8 | .90 |
| 867-335SR | 3X1 | 3- 3/16 | 2- 1/16 | 3 | 4- 5/8 | 1-11/16 | 9/16 | 8 | 1-1/8 | .92 |
| 867-336SR ¹ | 3X1-1/4 | 4- 1/32 | 2- 1/16 | 4- 3/32 | 4- 5/8 | 3 | 1- 5/16 | 8 | 2-1/4 | 1.49 |
| 867-337SR ¹ | 3X1-1/2 | 4- 1/32 | 2- 1/16 | 4- 3/32 | 4- 5/8 | 3 | 2-11/16 | 8 | 2-1/4 | 1.49 |
| 867-338SR | 3X2 | 3- 5/8 | 2- 1/16 | 4- 3/32 | 4- 5/8 | 3 | 7/8 | 8 | 2-1/4 | 1.39 |
| 867-415SR ¹ | 4X1/2 | 4- 3/32 | 2- 5/8 | 3 | 5- 9/16 | 2- 3/8 | 1- 1/8 | 8 | 1-1/8 | 1.33 |
| 867-416SR ¹ | 4X3/4 | 4- 3/32 | 2- 5/8 | 3 | 5- 9/16 | 2- 3/8 | 1- 1/8 | 8 | 1-1/8 | 1.31 |
| 867-417SR | 4X1 | 3-13/16 | 2- 5/8 | 3 | 5- 5/8 | 1-11/16 | 11/16 | 8 | 1-1/8 | 1.29 |
| 867-418SR ¹ | 4X1-1/4 | 4-13/32 | 2- 5/8 | 4- 3/32 | 5- 5/8 | 2- 3/8 | 1- 7/32 | 8 | 1-3/4 | 1.76 |
| 867-419SR ¹ | 4X1-1/2 | 4- 1/8 | 2- 5/8 | 4- 3/32 | 5- 9/16 | 2- 3/8 | 15/16 | 8 | 1-3/4 | 1.71 |
| 867-420SR | 4X2 | 4- 3/16 | 2- 5/8 | 4- 1/8 | 5- 5/8 | 3 | 15/16 | 8 | 2-1/4 | 1.79 |
| 867-421SR ¹ | 4X2-1/2 | 5 | 2- 5/8 | 5- 7/16 | 5-23/32 | 4- 9/32 | 1- 7/32 | 8 | 3 | 2.92 |
| 867-422SR | 4X3 | 4- 5/8 | 2-19/32 | 5- 7/16 | 5-11/16 | 4- 1/4 | 31/32 | 8 | 3 | 2.64 |
| 867-523SR ¹ | 6X1/2 | 5-13/32 | 3- 7/8 | 3 | 7- 3/4 | 1-11/16 | 1- 3/8 | 8 | 1-1/8 | 2.42 |
| 867-524SR ¹ | 6X3/4 | 5- 7/16 | 3- 7/8 | 3 | 7- 3/4 | 1-11/16 | 1- 3/8 | 10 | 1-1/8 | 2.41 |
| 867-525SR | 6X1 | 5- 1/8 | 3- 7/8 | 3 | 7-15/16 | 1-11/16 | 15/16 | 10 | 1-1/8 | 2.36 |
| 867-526SR ¹ | 6X1-1/4 | 5-15/16 | 3- 7/8 | 4- 1/8 | 7- 3/4 | 3 | 1-11/16 | 10 | 2-1/4 | 3.30 |
| 867-527SR ¹ | 6X1-1/2 | 5-15/16 | 3- 7/8 | 4- 1/8 | 7- 3/4 | 3 | 1- 3/4 | 10 | 2-1/4 | 3.30 |
| 867-528SR | 6X2 | 5- 1/2 | 3- 7/8 | 4- 1/8 | 7- 3/4 | 3 | 1- 7/32 | 10 | 2-1/4 | 3.17 |
| 867-529SR ¹ | 6X2-1/2 | 6- 7/16 | 3- 7/8 | 6 | 7-15/16 | 4- 1/4 | 1- 9/16 | 10 | 3 | 4.92 |

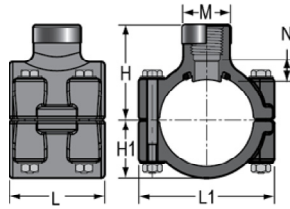
Schedule 80 Saddles



**Clamp-On Saddle x SR Thread
Single Outlet PVC Gray**

(Continued)

with EPDM O-ring Seal & Zinc-Plated Hardware
2"- 4" 235, 6" 200, 8"-12" 150 psi @ 73°F (23°C)
Dimensions Also Applicable to
867S-XXXSR, 867V-XXXSR
& 867SV-XXXSR

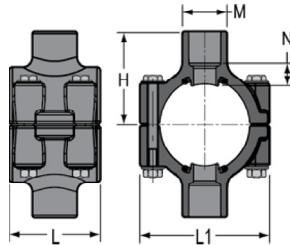


| Part Number | Size | H | H1 | L | L1 | M | N | Bolt Torque FT./LBS. | Hole Size | No of Bolts | Approx. Wt. (Lbs.) |
|------------------------|---------|---------|---------|---------|----------|---------|---------|----------------------|-----------|-------------|--------------------|
| 867-530SR | 6X3 | 5-15/16 | 3- 7/8 | 6 | 7-15/16 | 4- 1/4 | 1- 1/4 | 10 | 3 | 4 | 4.61 |
| 867-532SR | 6X4 | 6 | 3-29/32 | 6 | 7-15/16 | 5- 3/16 | 1- 3/8 | 10 | 4 | 6 | 5.44 |
| 867-573SR | 8X1/2 | 8- 3/32 | 4- 7/8 | 8- 1/2 | 10- 1/8 | 5- 1/4 | 3 | 10 | 4 | 6 | 9.67 |
| 867-574SR ¹ | 8X3/4 | 8- 3/32 | 4- 7/8 | 8- 1/2 | 10- 1/8 | 5- 1/4 | 3 | 10 | 4 | 6 | 9.68 |
| 867-575SR | 8X1 | 8- 3/32 | 4- 7/8 | 8- 1/2 | 10- 1/8 | 5- 1/4 | 2-13/16 | 10 | 4 | 6 | 9.68 |
| 867-576SR ¹ | 8X1-1/4 | 9- 5/16 | 4-15/16 | 8- 9/16 | 9-29/32 | 5- 7/32 | 1-19/32 | 10 | 4 | 6 | 9.84 |
| 867-577SR ¹ | 8X1-1/2 | 8- 3/32 | 4- 7/8 | 8- 1/2 | 10- 1/8 | 5- 1/4 | 2- 3/4 | 10 | 4 | 6 | 9.85 |
| 867-578SR ¹ | 8X2 | 7-11/16 | 4- 7/8 | 8- 1/2 | 10- 1/8 | 5- 1/4 | 2- 3/8 | 10 | 4 | 6 | 9.55 |
| 867-579SR ¹ | 8X2-1/2 | 8- 1/8 | 4- 7/8 | 8- 1/2 | 10- 1/8 | 5- 1/4 | 2- 1/2 | 10 | 4 | 6 | 9.53 |
| 867-580SR ¹ | 8X3 | 7-11/16 | 4- 7/8 | 8- 1/2 | 10- 1/8 | 5- 1/4 | 1-15/16 | 10 | 4 | 6 | 9.35 |
| 867-582SR | 8X4 | 7- 5/16 | 4- 7/8 | 8- 1/2 | 10- 1/8 | 5- 1/4 | 1- 1/2 | 10 | 4 | 6 | 8.83 |
| 867-585SR | 8X6 | 8- 3/32 | 4- 7/8 | 8- 1/2 | 10- 1/8 | 7- 5/8 | 2- 3/32 | 10 | 6 | 6 | 10.17 |
| 867-624SR | 10X4 | 8-15/32 | 6- 1/32 | 8- 1/2 | 12- 5/16 | 5- 1/4 | 2- 3/16 | 10 | 4 | 6 | 12.49 |
| 867-626SR | 10X6 | 9- 9/32 | 6- 1/32 | 8- 1/2 | 12- 5/16 | 7- 5/8 | 3- 3/16 | 10 | 6 | 6 | 13.84 |
| 867-664SR | 12X4 | 9- 9/16 | 7- 5/32 | 8- 1/2 | 14- 5/16 | 5- 1/4 | 1- 5/8 | 10 | 4 | 6 | 15.95 |
| 867-666SR | 12X6 | 10- 3/8 | 7- 5/32 | 8- 1/2 | 14- 5/16 | 7- 5/8 | 2- 1/4 | 10 | 6 | 6 | 17.06 |

¹ Outlet-sized with Bushing

**Clamp-On Saddle x Socket
Double Outlet PVC Gray**

with EPDM O-ring Seal & Zinc-Plated Hardware
2"- 4" 235, 6" 200, 8"-12" 150 psi @ 73°F (23°C)
Dimensions Also Applicable to
868S-XXX, 868V-XXX & 868SV-XXX



| Part Number | Size | H | L | L1 | M | N | Bolt Torque FT./LBS. | Hole Size | Approx. Wt. (Lbs.) |
|----------------------|-------------|---------|---------|---------|---------|---------|----------------------|-----------|--------------------|
| 868-247 | 2X1/2 | 2- 3/8 | 2- 7/16 | 3- 7/16 | 1- 3/16 | 5/16 | 8 | 3/4 | .64 |
| 868-248 | 2X3/4 | 2- 1/2 | 2- 7/16 | 3- 7/16 | 1- 3/8 | 5/16 | 8 | 7/8 | .64 |
| 868-249 | 2X1 | 2- 5/8 | 2- 7/16 | 3- 7/16 | 1-11/16 | 5/16 | 8 | 1-1/8 | .70 |
| 868-250 | 2X1-1/4 | 2- 3/4 | 2- 7/16 | 3- 7/16 | 2- 1/16 | 5/16 | 8 | 1-1/2 | .73 |
| 868-251 | 2X1-1/2 | 2-15/16 | 2- 7/16 | 3- 7/16 | 2- 3/8 | 5/16 | 8 | 1-1/2 | .86 |
| 868-291 | 2-1/2X1-1/2 | 3- 3/16 | 4- 1/16 | 4 | 2- 3/8 | 3/8 | 8 | 1-3/4 | 1.16 |
| 868-333 ¹ | 3X1/2 | 3- 5/16 | 3 | 4- 5/8 | 1- 3/8 | 13/16 | 8 | 7/8 | .96 |
| 868-334 | 3X3/4 | 3- 1/16 | 3 | 4- 5/8 | 1- 3/8 | 9/32 | 8 | 7/8 | .90 |
| 868-335 | 3X1 | 3- 3/16 | 3 | 4- 5/8 | 1-11/16 | 5/16 | 8 | 1-1/8 | .97 |
| 868-336 ¹ | 3X1-1/4 | 4- 1/32 | 4- 3/32 | 4- 5/8 | 3 | 1- 1/32 | 8 | 2-1/4 | 1.90 |
| 868-337 ¹ | 3X1-1/2 | 4- 1/32 | 4- 3/32 | 4- 5/8 | 3 | 29/32 | 8 | 2-1/4 | 1.79 |
| 868-338 | 3X2 | 3- 5/8 | 4- 3/32 | 4- 5/8 | 3 | 3/8 | 8 | 2-1/4 | 1.51 |
| 868-415 ¹ | 4X1/2 | 4- 3/32 | 3 | 5- 9/16 | 2- 3/8 | 31/32 | 8 | 1-1/8 | 1.42 |

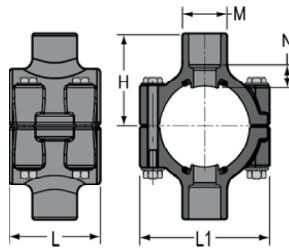


Schedule 80 Saddles

Clamp-On Saddle x Socket Double Outlet PVC Gray

(Continued)

with EPDM O-ring Seal & Zinc-Plated Hardware
2"- 4" 235, 6" 200, 8"-12" 150 psi @ 73°F (23°C)
Dimensions Also Applicable to
868S-XXX, 868V-XXX & 868SV-XXX



| Part Number | Size | H | L | L1 | M | N | Bolt Torque FT./LBS. | Hole Size | Approx. Wt. (Lbs.) |
|----------------------|---------|---------|---------|----------|---------|---------|-------------------------|-----------|-----------------------|
| 868-416 ¹ | 4X3/4 | 4- 3/32 | 3 | 5- 9/16 | 2- 3/8 | 27/32 | 8 | 1-1/8 | 1.38 |
| 868-417 | 4X1 | 3-13/16 | 3 | 5- 5/8 | 1-11/16 | 7/16 | 8 | 1-1/8 | 1.31 |
| 868-418 ¹ | 4X1-1/4 | 4-13/32 | 4- 3/32 | 5- 5/8 | 2- 3/8 | 29/32 | 8 | 1-3/4 | 1.90 |
| 868-419 | 4X1-1/2 | 4- 1/8 | 4- 3/32 | 5- 9/16 | 2- 3/8 | 1/2 | 8 | 1-3/4 | 1.78 |
| 868-420 | 4X2 | 4- 3/16 | 4- 1/8 | 5- 5/8 | 3 | 7/16 | 8 | 2-1/4 | 1.91 |
| 868-421 ¹ | 4X2-1/2 | 5 | 5- 7/16 | 5-23/32 | 4- 9/32 | 3/4 | 8 | 3 | 3.67 |
| 868-422 | 4X3 | 4- 5/8 | 5- 7/16 | 5-11/16 | 4- 1/4 | 1/2 | 8 | 3 | 2.93 |
| 868-523 ¹ | 6X1/2 | 5-13/32 | 3 | 7- 3/4 | 1-11/16 | 1- 7/32 | 8 | 1-1/8 | 2.51 |
| 868-524 ¹ | 6X3/4 | 5- 7/16 | 3 | 7- 3/4 | 1-11/16 | 1- 1/8 | 10 | 1-1/8 | 2.47 |
| 868-525 | 6X1 | 5- 1/8 | 3 | 7-15/16 | 1-11/16 | 11/16 | 10 | 1-1/8 | 2.40 |
| 868-526 ¹ | 6X1-1/4 | 5-15/16 | 4- 1/8 | 7- 3/4 | 3 | 1- 3/8 | 10 | 2-1/4 | 3.64 |
| 868-527 ¹ | 6X1-1/2 | 5-15/16 | 4- 1/8 | 7- 3/4 | 3 | 1- 1/4 | 10 | 2-1/4 | 3.54 |
| 868-528 | 6X2 | 5- 1/2 | 4- 1/8 | 7- 3/4 | 3 | 11/16 | 10 | 2-1/4 | 3.26 |
| 868-529 ¹ | 6X2-1/2 | 6-7/16 | 6 | 7-15/16 | 4-1/4 | 1-1/8 | 10 | 3 | 5.65 |
| 868-530 | 6X3 | 5-15/16 | 6 | 7-15/16 | 4- 1/4 | 25/32 | 10 | 3 | 4.91 |
| 868-532 | 6X4 | 6 | 6 | 7-15/16 | 5- 3/16 | 5/8 | 10 | 4 | 5.90 |
| 868-573 ¹ | 8X1/2 | 8- 3/32 | 8- 1/2 | 10- 1/8 | 5- 1/4 | 2- 3/16 | 10 | 4 | 11.54 |
| 868-574 ¹ | 8X3/4 | 8- 3/32 | 8- 1/2 | 10- 1/8 | 5- 1/4 | 2- 3/4 | 10 | 4 | 11.51 |
| 868-575 ¹ | 8X1 | 8- 3/32 | 8- 1/2 | 10- 1/8 | 5- 1/4 | 2- 5/8 | 10 | 4 | 11.54 |
| 868-576 ¹ | 8X1-1/4 | 8- 3/32 | 8- 1/2 | 10- 1/8 | 5- 1/4 | 2- 1/2 | 10 | 4 | 12.02 |
| 868-577 ¹ | 8X1-1/2 | 8- 3/32 | 8- 1/2 | 10- 1/8 | 5- 1/4 | 2- 3/8 | 10 | 4 | 11.90 |
| 868-578 ¹ | 8X2 | 7-11/16 | 8- 1/2 | 10- 1/8 | 5- 1/4 | 1- 7/8 | 10 | 4 | 11.07 |
| 868-579 ¹ | 8X2-1/2 | 8- 1/8 | 8- 1/2 | 10- 1/8 | 5- 1/4 | 1-11/16 | 10 | 4 | 11.08 |
| 868-580 ¹ | 8X3 | 7-11/16 | 8- 1/2 | 9- 7/8 | 5- 7/32 | 2- 1/16 | 10 | 4 | 10.72 |
| 868-582 | 8X4 | 7- 5/16 | 8- 1/2 | 10- 1/8 | 5- 1/4 | 11/16 | 10 | 4 | 9.05 |
| 868-585 | 8X6 | 8- 3/32 | 8- 1/2 | 10- 1/8 | 7- 5/8 | 11/16 | 10 | 6 | 11.60 |
| 868-624 | 10X4 | 8-15/32 | 8- 1/2 | 12- 5/16 | 5- 1/4 | 13/16 | 10 | 4 | 12.65 |
| 868-626 | 10X6 | 9- 9/32 | 8- 1/2 | 12- 5/16 | 7- 5/8 | 13/16 | 10 | 6 | 14.66 |
| 868-664 | 12X4 | 9- 9/16 | 8- 1/2 | 14- 5/16 | 5- 1/4 | 7/8 | 10 | 4 | 16.31 |
| 868-666 | 12X6 | 10- 3/8 | 8- 1/2 | 14- 5/16 | 7- 5/8 | 7/8 | 10 | 6 | 18.20 |

¹ Outlet-sized with Bushing



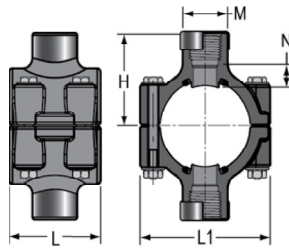
Schedule 80 Saddles



**Clamp-On Saddle x SR Thread
Double Outlet PVC Gray**

with EPDM O-ring Seal & Zinc-Plated Hardware
2"- 4" 235, 6" 200, 8"-12" 150 psi @ 73°F (23°C)

Dimensions Also Applicable to
869S-XXXSR, 869V-XXXSR
& 869SV-XXXSR



| Part Number | Size | H | L | L1 | M | N | Bolt Torque FT./LBS. | Hole Size | Approx. Wt. (Lbs.) |
|------------------------|-------------|---------|---------|----------|---------|---------|-------------------------|-----------|-----------------------|
| 869-247SR | 2X1/2 | 2- 3/8 | 2- 7/16 | 3- 7/16 | 1- 3/16 | 5/16 | 8 | 3/4 | .66 |
| 869-248SR | 2X3/4 | 2- 1/2 | 2- 7/16 | 3- 7/16 | 1- 3/8 | 5/8 | 8 | 7/8 | .70 |
| 869-249SR | 2X1 | 2- 5/8 | 2- 7/16 | 3- 7/16 | 1-11/16 | 9/16 | 8 | 1-1/8 | .74 |
| 869-250SR | 2X1-1/4 | 2- 3/4 | 2- 7/16 | 3- 7/16 | 2- 1/16 | 11/16 | 8 | 1-1/2 | .80 |
| 869-251SR | 2X1-1/2 | 2-15/16 | 2- 7/16 | 3- 7/16 | 2- 3/8 | 3/4 | 8 | 1-1/2 | .94 |
| 869-291SR | 2-1/2X1-1/2 | 3- 3/16 | 4- 1/16 | 4 | 2- 3/8 | 13/16 | 8 | 1-3/4 | 1.31 |
| 869-333SR ¹ | 3X1/2 | 3- 5/16 | 3 | 4- 5/8 | 1- 3/8 | 15/16 | 8 | 7/8 | .98 |
| 869-334SR | 3X3/4 | 3- 1/16 | 3 | 4- 5/8 | 1- 3/8 | 9/16 | 8 | 7/8 | .96 |
| 869-335SR | 3X1 | 3- 3/16 | 3 | 4- 5/8 | 1-11/16 | 9/16 | 8 | 1-1/8 | 1.00 |
| 869-336SR ¹ | 3X1-1/4 | 4- 1/32 | 4- 3/32 | 4- 5/8 | 3 | 1- 5/16 | 8 | 2-1/4 | 1.95 |
| 869-337SR ¹ | 3X1-1/2 | 4- 1/32 | 4- 3/32 | 4- 5/8 | 3 | 2-11/16 | 8 | 2-1/4 | 1.95 |
| 869-338SR | 3X2 | 3- 5/8 | 4- 3/32 | 4- 5/8 | 3 | 7/8 | 8 | 2-1/4 | 1.75 |
| 869-415SR ¹ | 4X1/2 | 4- 3/32 | 3 | 5- 9/16 | 2- 3/8 | 1- 1/8 | 8 | 1-1/8 | 1.46 |
| 869-416SR ¹ | 4X3/4 | 4- 3/32 | 3 | 5- 9/16 | 2- 3/8 | 1- 1/8 | 8 | 1-1/8 | 1.44 |
| 869-417SR | 4X1 | 3-13/16 | 3 | 5- 5/8 | 1-11/16 | 11/16 | 8 | 1-1/8 | 1.38 |
| 869-418SR ¹ | 4X1-1/4 | 4-13/32 | 4- 3/32 | 5- 5/8 | 2- 3/8 | 1- 7/32 | 8 | 1-3/4 | 2.02 |
| 869-419SR | 4X1-1/2 | 4- 1/8 | 4- 3/32 | 5- 9/16 | 2- 3/8 | 15/16 | 8 | 1-3/4 | 1.91 |
| 869-420SR | 4X2 | 4- 3/16 | 4- 1/8 | 5- 5/8 | 3 | 15/16 | 8 | 2-1/4 | 2.09 |
| 869-421SR ¹ | 4X2-1/2 | 5 | 5- 7/16 | 5-23/32 | 4- 9/32 | 1- 7/32 | 8 | 3 | 3.98 |
| 869-422SR | 4X3 | 4- 5/8 | 5- 7/16 | 5-11/16 | 4- 1/4 | 31/32 | 8 | 3 | 3.42 |
| 869-523SR ¹ | 6X1/2 | 5-13/32 | 3 | 7- 3/4 | 1-11/16 | 1- 3/8 | 8 | 1-1/8 | 2.55 |
| 869-524SR ¹ | 6X3/4 | 5- 7/16 | 3 | 7- 3/4 | 1-11/16 | 1- 3/8 | 10 | 1-1/8 | 2.53 |
| 869-525SR | 6X1 | 5- 1/8 | 3 | 7-15/16 | 1-11/16 | 15/16 | 10 | 1-1/8 | 2.43 |
| 869-526SR ¹ | 6X1-1/4 | 5-15/16 | 4- 1/8 | 7- 3/4 | 3 | 1-11/16 | 10 | 2-1/4 | 3.70 |
| 869-527SR ¹ | 6X1-1/2 | 5-15/16 | 4- 1/8 | 7- 3/4 | 3 | 1- 3/4 | 10 | 2-1/4 | 3.70 |
| 869-528SR | 6X2 | 5- 1/2 | 4- 1/8 | 7- 3/4 | 3 | 1- 7/32 | 10 | 2-1/4 | 3.44 |
| 869-529SR ¹ | 6X2-1/2 | 6- 7/16 | 6 | 7-15/16 | 4- 1/4 | 1- 9/16 | 10 | 3 | 5.94 |
| 869-530SR | 6X3 | 5-15/16 | 6 | 7-15/16 | 4- 1/4 | 1- 1/4 | 10 | 3 | 5.32 |
| 869-532SR | 6X4 | 6 | 6 | 7-15/16 | 5- 3/16 | 1- 3/8 | 10 | 4 | 6.27 |
| 869-573SR ¹ | 8X1/2 | 8- 3/32 | 8- 1/2 | 10- 1/8 | 5- 1/4 | 3 | 10 | 4 | 11.57 |
| 869-574SR ¹ | 8X3/4 | 8- 3/32 | 8- 1/2 | 10- 1/8 | 5- 1/4 | 3 | 10 | 4 | 11.60 |
| 869-575SR ¹ | 8X1 | 8- 3/32 | 8- 1/2 | 10- 1/8 | 5- 1/4 | 2-13/16 | 10 | 4 | 11.60 |
| 869-576SR ¹ | 8X1-1/4 | 8- 3/32 | 8- 1/2 | 10- 1/8 | 5- 1/4 | 2- 3/4 | 10 | 4 | 11.92 |
| 869-577SR ¹ | 8X1-1/2 | 8- 3/32 | 8- 1/2 | 10- 1/8 | 5- 1/4 | 2- 3/4 | 10 | 4 | 11.94 |
| 869-578SR ¹ | 8X2 | 7-11/16 | 8- 1/2 | 10- 1/8 | 5- 1/4 | 2- 3/8 | 10 | 4 | 11.33 |
| 869-579SR ¹ | 8X2-1/2 | 8- 1/8 | 8- 1/2 | 10- 1/8 | 5- 1/4 | 2- 1/2 | 10 | 4 | 11.30 |
| 869-580SR ¹ | 8X3 | 7-11/16 | 8- 1/2 | 10- 1/8 | 5- 1/4 | 1-15/16 | 10 | 4 | 10.94 |
| 869-582SR | 8X4 | 7- 5/16 | 8- 1/2 | 10- 1/8 | 5- 1/4 | 1- 1/2 | 10 | 4 | 9.89 |
| 869-585SR | 8X6 | 8- 3/32 | 8- 1/2 | 10- 1/8 | 7- 5/8 | 2- 3/32 | 10 | 6 | 12.58 |
| 869-624SR | 10X4 | 8-15/32 | 8- 1/2 | 12- 5/16 | 5- 1/4 | 2- 3/16 | 10 | 4 | 13.12 |
| 869-626SR | 10X6 | 9- 9/32 | 8- 1/2 | 12- 5/16 | 7- 5/8 | 3- 3/16 | 10 | 6 | 15.83 |
| 869-664SR | 12X4 | 9- 9/16 | 8- 1/2 | 14- 5/16 | 5- 1/4 | 1- 5/8 | 10 | 4 | 16.68 |



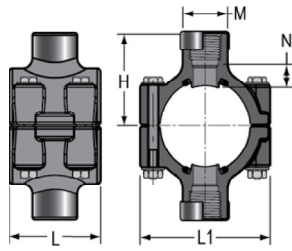
Schedule 80 Saddles

**Clamp-On Saddle x SR Thread
Double Outlet PVC Gray**

(Continued)

with EPDM O-ring Seal & Zinc-Plated Hardware
2"- 4" 235, 6" 200, 8"-12" 150 psi @ 73°F (23°C)

Dimensions Also Applicable to
869S-XXXSR, 869V-XXXSR
& 869SV-XXXSR



| Part Number | Size | H | L | L1 | M | N | Bolt Torque FT./LBS. | Hole Size | Approx. Wt. (Lbs.) |
|-------------|------|---------|--------|----------|--------|--------|-------------------------|-----------|-----------------------|
| 869-666SR | 12X6 | 10- 3/8 | 8- 1/2 | 14- 5/16 | 7- 5/8 | 2- 1/4 | 10 | 6 | 18.90 |

¹ Outlet-sized with Bushing

